

# FSP PANELS

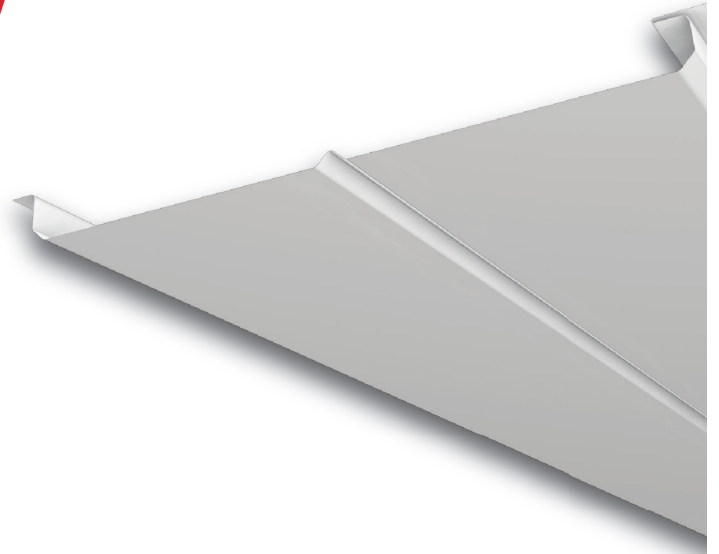
Specifications and Color Options

## Simple and Attractive

The FSP (Flat Soffit Panel) panels provide an attractive flat appearance for architectural, commercial and industrial markets. It's ideal for the under side of fascias, canopies, extensions and some ceiling and wall liner applications. The concealed fastener and interlocking design provides for a clean look and makes erection straight forward and simple.

Our most popular FSP panels in use are supplied in 24 gauge Polar White to create a sturdy, light, clean look that most owners prefer. To help create just the right architectural look, we also offer the FSP panel in all standard Chief colors in either 24 or 26 gauge. The FSP panel is limited to a maximum 6' length.

A 12 inches wide, the FSP panel includes a "face bead" to provide an attractive shadow accent and to minimize the effects of oil canning.



Antique Bronze (AQ)



Ash Gray (AG)



Charcoal Gray (CG)



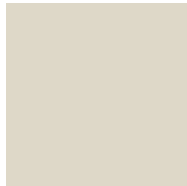
Cherokee (CK)



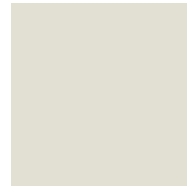
Emerald Green (EG)



Fieldstone (FS)



Parchment (PA)



Polar White (PW)



Royale Blue (RB)



Sierra Madre (SM)

\*All colors 26 ga. except Polar White (24 ga.)

\*\*Chief maintains stock inventory of Polar White and Galvalume®. All other colors shown are available as Chief standard colors and may not be in stock.

## Ultra-Kote Premium (UKP) Finish

Chief's Ultra-Kote Premium finish is made with polyvinylidene fluoride resin, where a minimum of 70% of the resin is PVDF (Kynar 500® or Hylar 5000®). This unique chemistry is combined with acrylic resin, as well as ceramic and select inorganic pigmentation. The result is Ultra-Kote Premium's proven ability to resist ultraviolet radiation in sunlight for maximum protection against general weathering effects, chalking and fading.

Since all color chips are affected by age, lighting conditions, heat and mechanical coating processes, the chips on this page may vary slightly in color or finish from the actual product. Oil canning in the flat areas of panels is inherent of coil steel products and shall not be a cause for product refusal. Chief reserves the right to change designs, prices and specifications at any time without notice.



### Chief's Finish Warranties:

Ultra-Kote Premium Roof Panel Finish Limited Warranty - 35 year



1821 S. North Road / PO Box 2078 / Grand Island, NE 68802-2078 / (308) 389-7281 / [www.chiefbuildings.com](http://www.chiefbuildings.com)



Note: Dimensions are nominal.

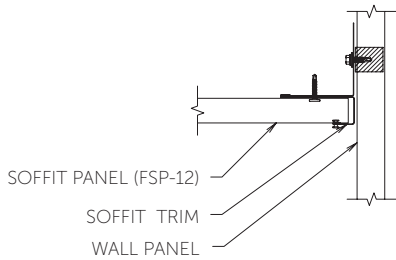
### 24 Gauge Soffit Panel

- a. Roll-formed profile shall be FSP-12 (Flat Soffit Panel) configuration as manufactured by Chief Buildings. Panels shall attach to framing members using concealed fasteners. Each panel shall provide a net coverage width of 12" and have one stiffening rib.
- b. Panels shall be manufactured from 24 gauge, 50,000 PSI material.
- c. Substrate shall be Galvalume® AZ50 coating in accordance with ASTM A792.
- d. Sheets shall be coated with a fluoropolymer topcoat containing not less than 70% polyvinylidene fluoride (PVDF) over primer with total DFT of 0.8 – 1.0. The reverse side shall be coated with pigmented polyester. Exterior color shall be Polar White.

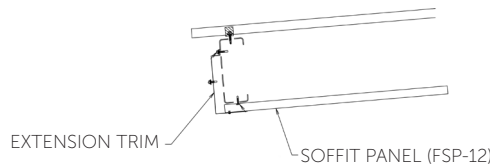
### 26 Gauge Soffit Panel

- a. Roll-formed profile shall be FSP-12 (Flat Soffit Panel) configuration as manufactured by Chief Buildings. Panels shall attach to framing members using concealed fasteners. Each panel shall provide a net coverage width of 12" and have one stiffening rib.
- b. Panels shall be manufactured from 26 gauge, 50,000 PSI material having a maximum length of 6'-0".
- c. Substrate shall be Galvalume® AZ50 coating in accordance with ASTM A792.
- d. Sheets shall be coated with a fluoropolymer topcoat containing not less than 70% polyvinylidene fluoride (PVDF) over primer with total DFT of 0.8 – 1.0. The reverse side shall be coated with pigmented polyester. Exterior color to be selected from Chief standard color choices.

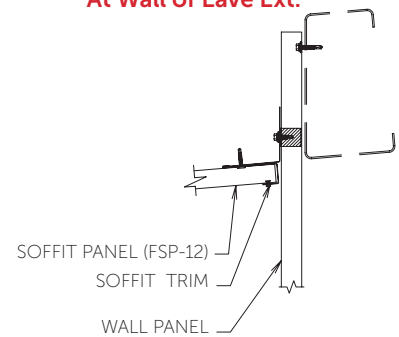
#### At Wall Panel



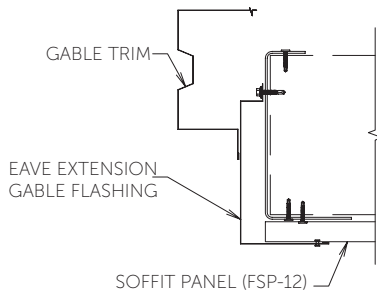
#### Eave Ext. End



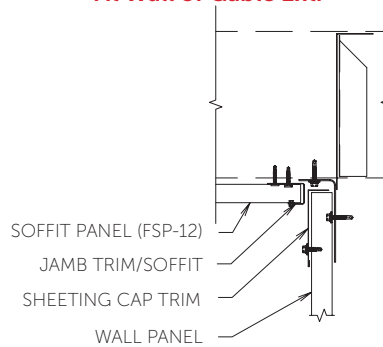
#### At Wall of Eave Ext.



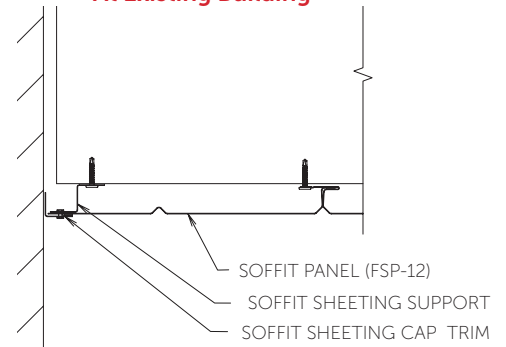
#### Gable Ext. End



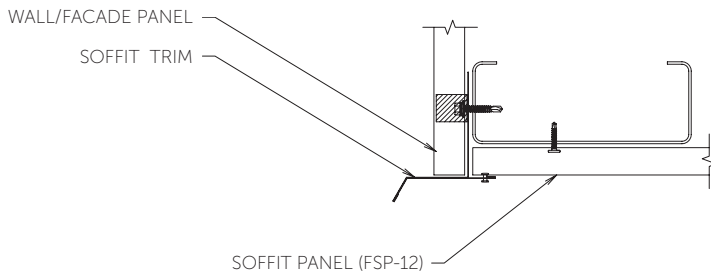
#### At Wall of Gable Ext.



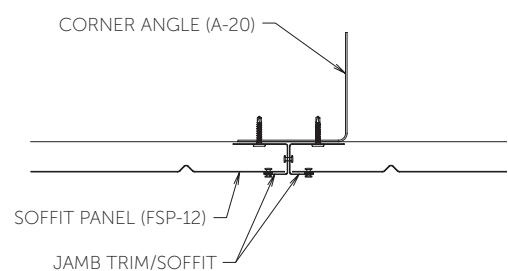
#### At Existing Building



#### Base of Facade



#### Mitered Corner



Kynar 500® is a registered trademark of Arkema, Inc. | Hylar 5000® is a registered trademark of Solvay Solexis, Inc.

